

ALUMAR Yachts

REV	DATE	UNLESS OTHERWISE SPECIFIED: DIMENSIONS ARE IN MILLIMETERS DO NOT SCALE DRAWING

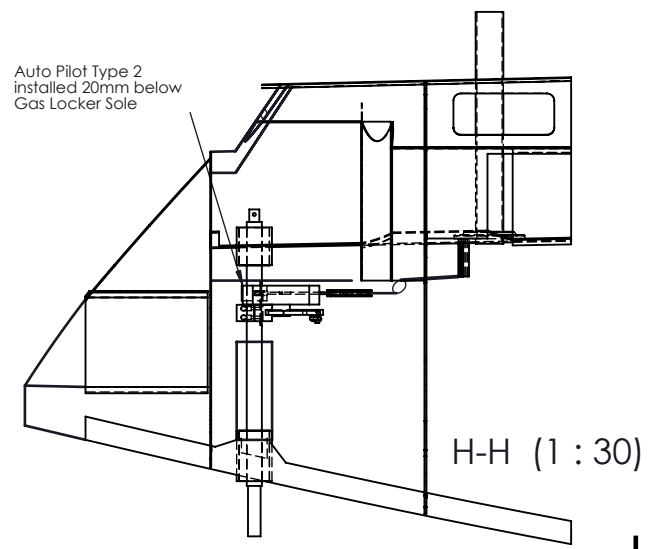
Dix 43 PH Steel
Rudder Shaft

A4

1 2 3 4 5 6

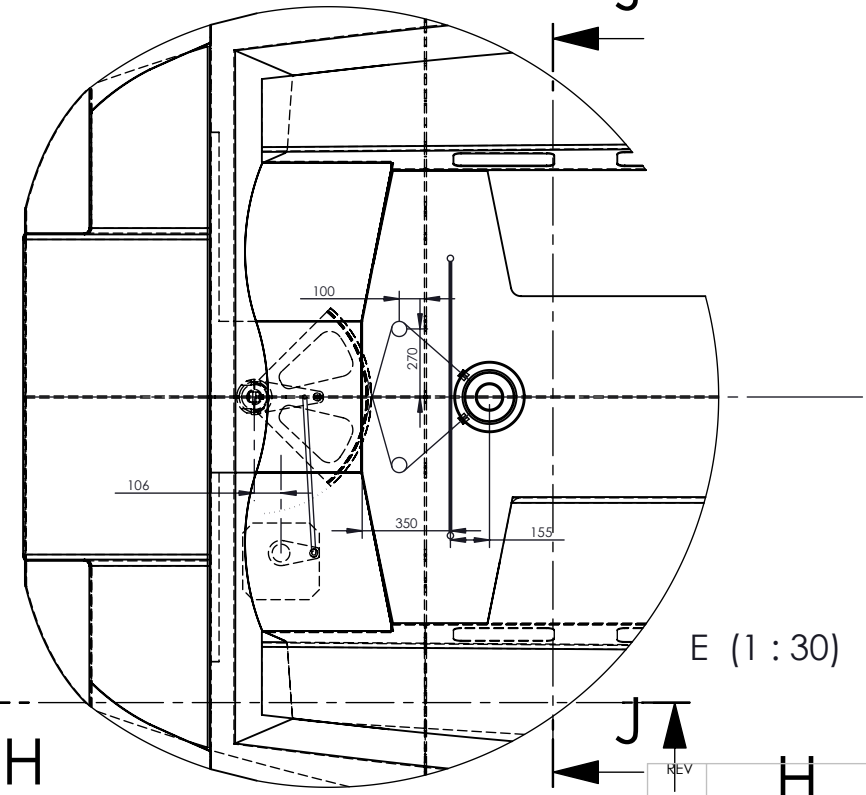
A

A



B

B

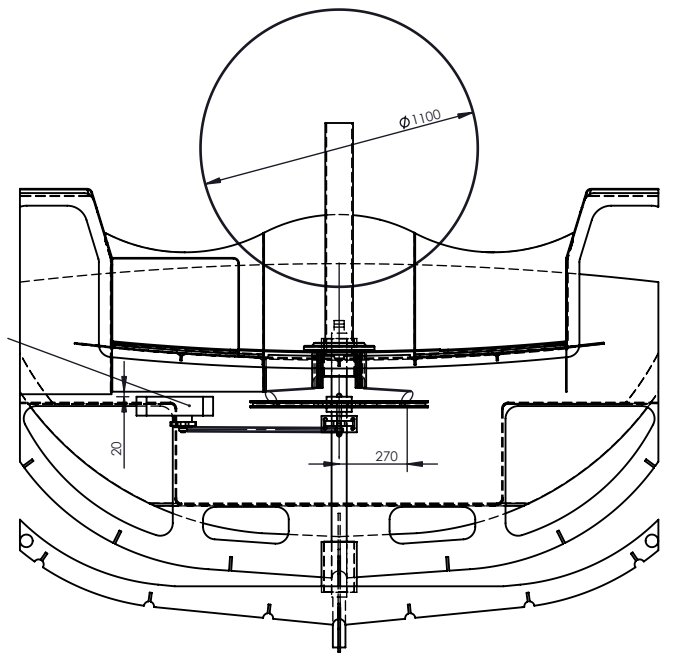


C

C

D

D



ALUMAR Yachts

Dix 43 PH Steel
Steering System

A4

DATE: UNLESS OTHERWISE SPECIFIED:
DIMENSIONS ARE IN MILLIMETERS
DO NOT SCALE DRAWING

WEIGHT:

SCALE:1:500

SHEET 3 OF 3

1

2

REV H